

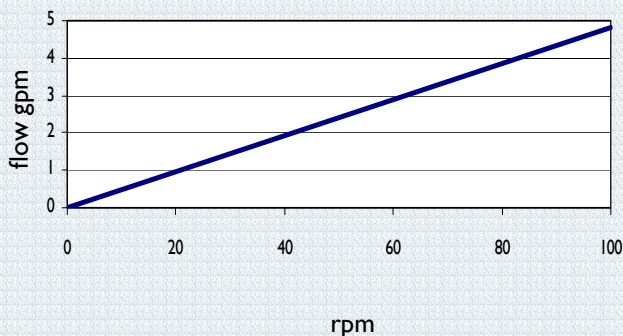


# LPP-D3/4" HOSE PUMP

## TECHNICAL DATA

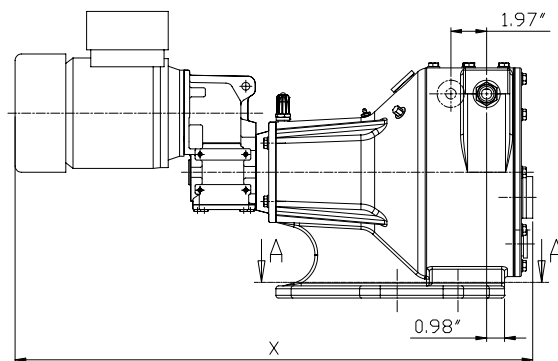
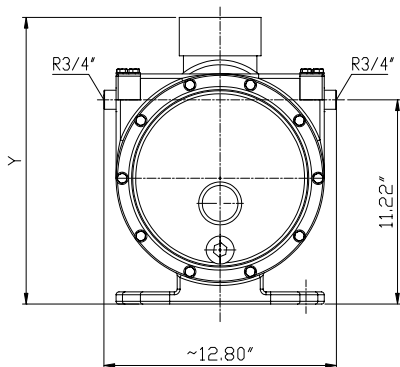
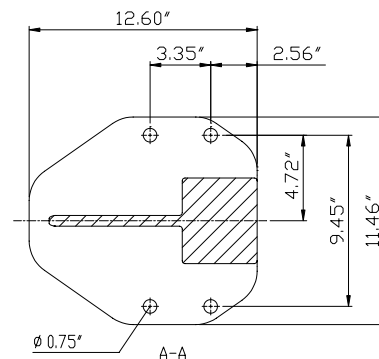
Maximum flow	4.8 gpm
Maximum pressure	110 psig
Flow/revolution	0.05 gallon
Hose connection	3/4"
Hose bore	3/4"
Lubricant volume	0.11 gallon
Weight	~ 103 lbs.
Motor power	0.75 – 1 HP

## FLOW WITH MAXIMUM PRESSURE

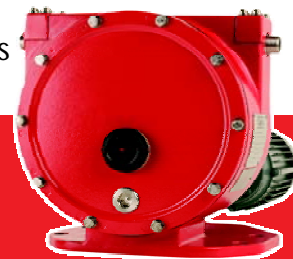


## MATERIALS OF CONSTRUCTION

Housing	High-strength cast aluminum
Crank shaft	Carbon steel/ acid proof steel
Rotor	Polyacetal
Hose materials (colour code)	EPDM (violet) NR (light blue) NBR (yellow) SBRT (red)



Dimensions (X,Y) vary according to the drive size. Please consult us for the exact drive sizing to your application.



Sin-Can Inc.  
 Phone 1-(403)-287-2345 • Toll-free in Canada 1-(800)-565-2345 • Fax 1-(403)-287-1355  
 Address: #3, 4015 - 1st Street S.E., Calgary, Alberta T2G 4X7 Canada  
 Web: [www.sincaninc.com](http://www.sincaninc.com) • E-mail: [sincaninc@telus.net](mailto:sincaninc@telus.net)

