

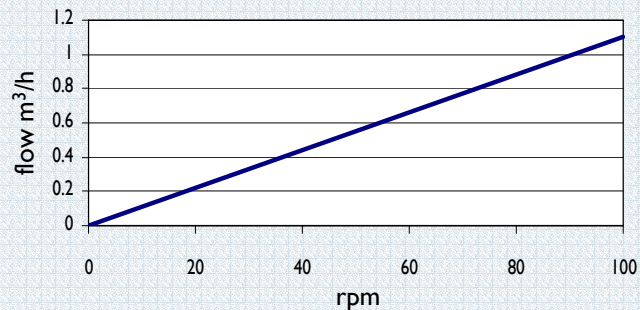


LPP-D20 HOSE PUMP

TECHNICAL DATA

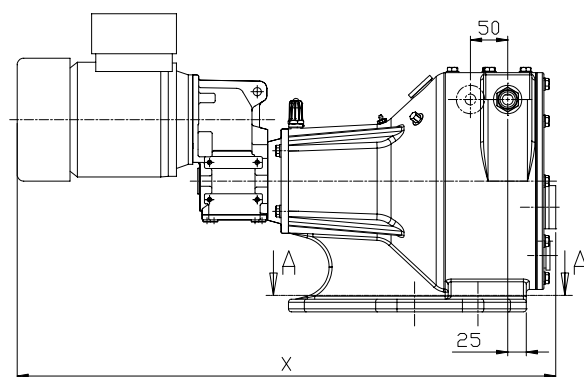
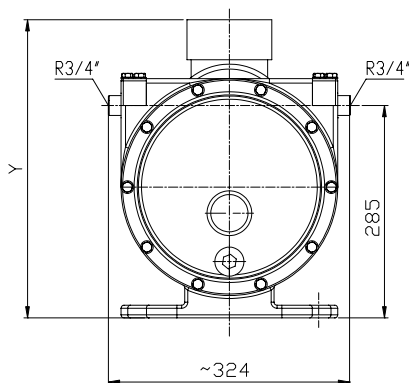
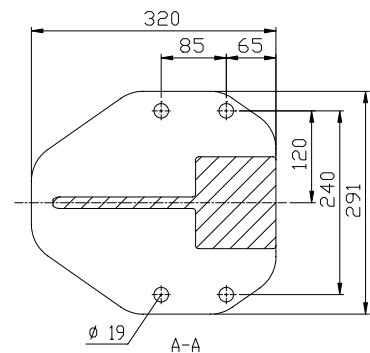
Maximum flow	1.1 m ³ /h
Maximum pressure	7.5 bar
Flow/revolution	0.18 l
Hose connection	R ³ / ₄ "
Hose bore	20 mm
Lubricant volume	0.4 l
Weight	~ 47 kg
Motor power	0.55–0.75 kW

FLOW WITH MAXIMUM PRESSURE



MATERIALS OF CONSTRUCTION

Housing	High-strength cast aluminum
Crank shaft	Carbon steel/ acid proof steel
Rotor	Polyacetal
Hose materials (colour code)	EPDM (violet) NR (light blue) NBR (yellow) SBRT (red)



Dimensions (X,Y) vary according to the drive size. Please consult us for the exact drive sizing to your application.



Sin-Can Inc.
 Phone 1-(403)-287-2345 • Toll-free in Canada 1-(800)-565-2345 • Fax 1-(403)-287-1355
 Address: #3, 4015 - 1st Street S.E., Calgary, Alberta T2G 4X7 Canada
 Web: www.sincaninc.com • E-mail: sincaninc@telus.net