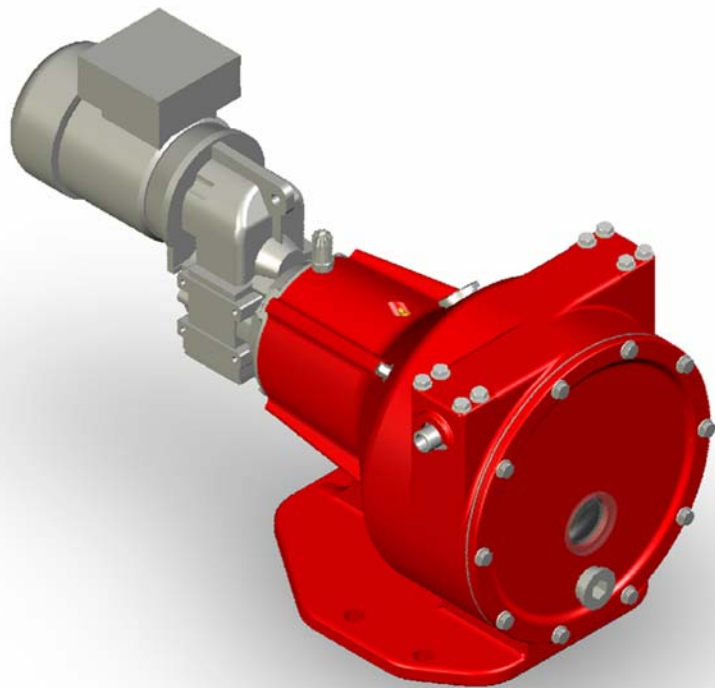




Quick manual
for
LPP-D peristaltic pumps



Quick Manual for LPP-D Hose Pumps

As a part of routine maintenance, make sure the hose leak detector is operating properly. If a hose leak detector has been installed, ensure that both the chamber of the hose leak detector and the float switch are clean.

Clean the pump casing every time the hose is changed and check the breather for blockage; air must flow through without restriction.

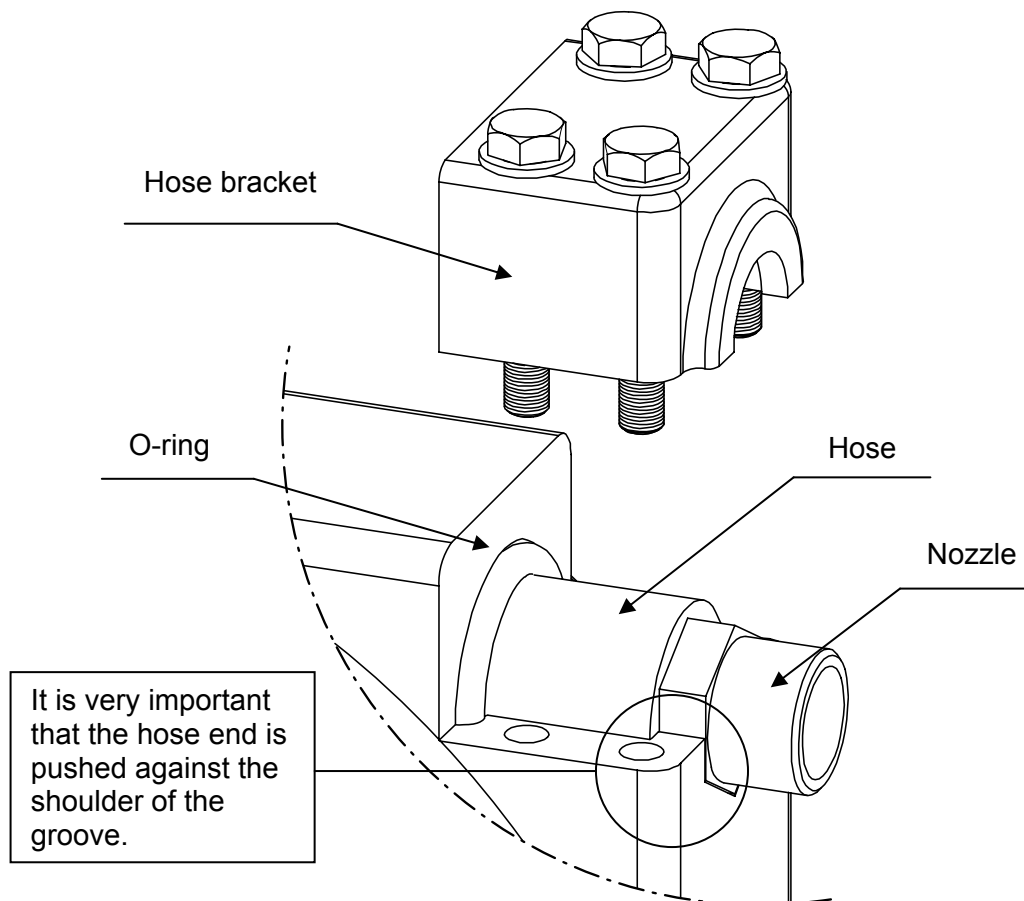
 <p>WARNING</p>	<p>The neglect of the maintenance procedures described above can cause pump breakdown.</p>
	<p>When running the pump, make sure the hose ends are outside the casing and they cannot get caught between the rotor and the casing.</p>
 <p>DANGER</p>	<p>The pump casing can contain a medium that can be harmful to you and to the environment. Use the appropriate protective equipment and follow the waste disposal procedures set by your facility when opening the casing.</p>
	<p>Keep all extremities out of the pump when the power is turned on and the motor is running. Make sure that no unauthorized persons are near the pump when changing the hose.</p>

Removing the hose

1. Switch off the electric supply to the pump.
2. Open the drain valve or the front panel to drain the pump casing. Protect yourself against possible splashes of the medium from inside the pump.
3. Remove the front cover by opening the bolts on the cover.
4. Turn the rotor to its lowest position.
5. Unbolt the hose brackets on both sides of the pump.
6. Remove the nozzles from the hose ends.
7. Pull in the hose ends through the pump ports.
8. Take off the o-ring.
9. Pull the hose out of the casing.
10. Clean the pump casing properly. Any particles or material inside the pump can destroy the pump or the hose and reduce the maintenance-span of the pump and hose.

Replacing the hose

1. Lubricate the hose ports in the pump with LPP hose lubricant to make the installation easier and slide the hose ends to the ports from inside the casing.
2. Install new o-rings at the pump ports.
3. Push the hose ends through the ports so that the hose end is in contact with the shoulder of the groove in front of the port.
4. Push the nozzle into the hose. Take care that the hose remains in its position.
5. Place the hose brackets and in their bolts in their place on the both sides.
6. Push the lower part of the hose into the pump casing between the rotor and the casing. You can help the mounting by rotating the rotor by hand.
7. Check that the nozzles are in the correct position in the corresponding grooves.
8. Close the front cover and pour in the hose lubricant through the plug on top of the pump casing. The correct amount of lubricant is 0,4 litres.
9. Close the plug.



Contact information

Your local Larox Flowsys representative is ready to help you with any questions you might have about your pump.

Your local representative:



P.O. BOX 338, FIN 53101
TEL. +358 113 311, FAX +358 311 300
E-MAIL: info@larox.fi, www.larox.fi