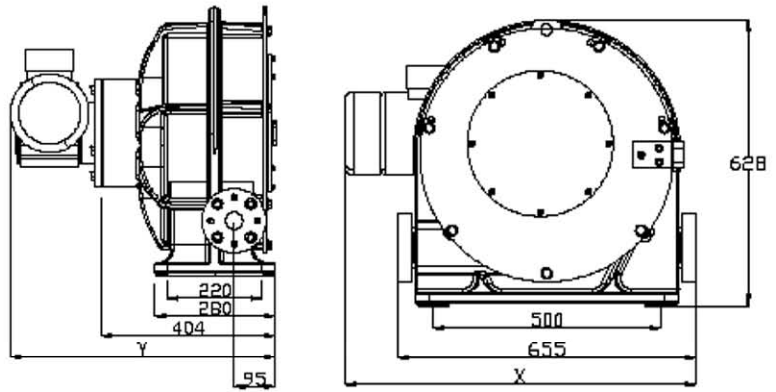


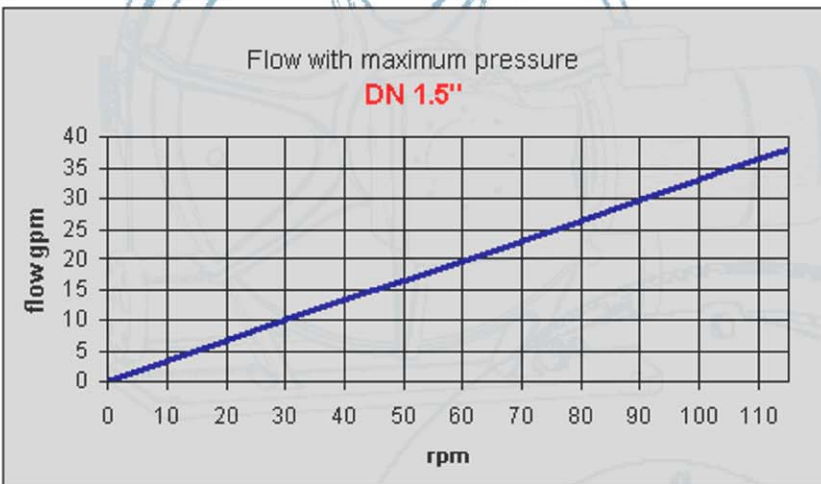
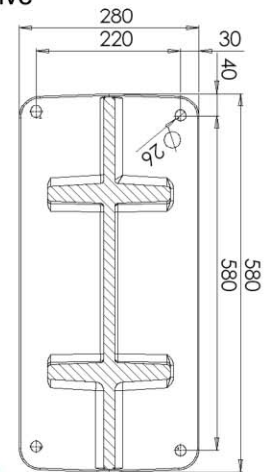
# LPP TECHNICAL DETAILS DN 1.5"

## Technical details DN 1.5

Weight	~ 792 lbs.
Flow/revolution	.33 gallons
Max flow	37.5 gpm
Max pressure	150 psig
Lubricant volume	.24 gallons
Compression -new hose -adjustment during operation	28 ft. lbs. 21 ft. lbs.



For further information on different gear units and dimensions, please contact your local representative



## LPP type markings

Model	Size (DN)	Drive	Pressure class (PN)	Flange drillings	Body material	Drive control	Auxiliaries
LPP	1" 1.5" 2.5"	GM= geared motor GU= gear unit	10	1 = - 2 = DIN PN10 3 = DIN PN16 6 = ANSI 150 8 = B.S. TABLE D 9 = OTHER	0= FE	I = Inverter C = Control unit with remote control W = Control unit with local control N = None	P = pressure limit switch T = pressure transmitter with relay display J = Revolution counter R = Revolution detector D = hose leak detector H = Connector hoses K = Pipe connector for pressure switch

LPP1.5"GM10-2-0-W-TDH

Sin-Can Inc.

Information without engagement. All rights to change without prior notice reserved.  
Phone 1-(403)-287-2345 • Toll-free in Canada 1-(800)-565-2345 • Fax 1-(403)-287-1355  
Address: #3, 4015 - 1st Street S.E., Calgary, Alberta T2G 4X7 Canada  
Web: [www.sincaninc.com](http://www.sincaninc.com) • E-mail: [sincaninc@telus.net](mailto:sincaninc@telus.net)