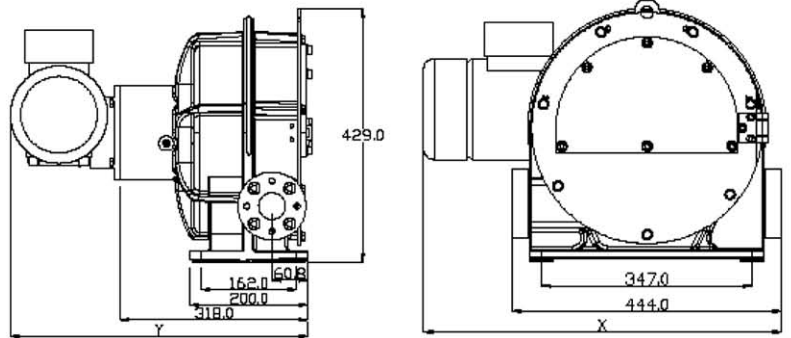


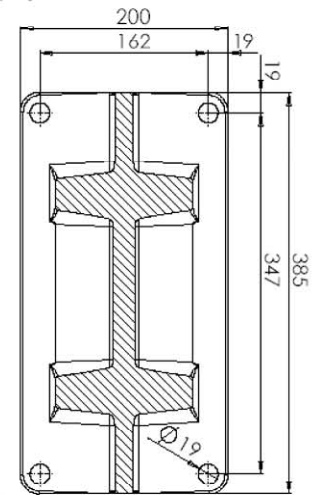
# LPP TECHNICAL DETAILS DN 1"

## Technical details DN 1"

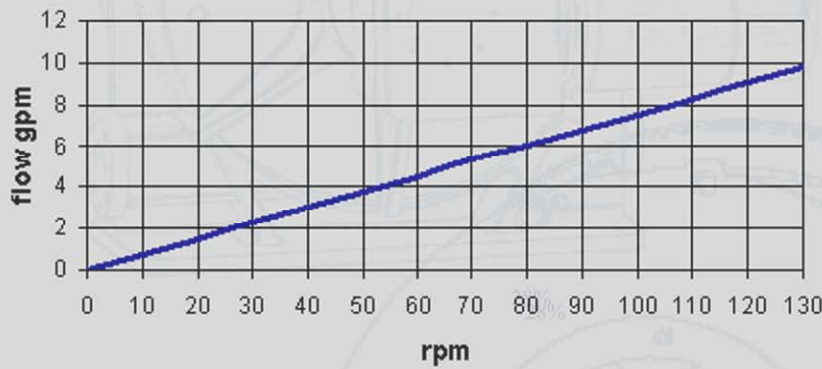
Weight	~ 286 lbs.
Flow/revolution	.08 gallons
Max flow	9.7 gpm
Max pressure	150 psig
Lubricant volume	.16 gallons
Compression	
-new hose	10.5 ft.lbs.
-adjustment during operation	7 ft.lbs.



For further information on different gear units and dimensions, please contact your local representative



Flow with maximum pressure  
DN 1"



## LPP type markings

Model	Size (DN)	Drive	Pressure class (PN)	Flange drillings	Body material	Drive control	Auxiliaries
LPP	1" 1.5" 2.5"	GM= geared motor GU= gear unit	10	1 = - 2 = DIN PN10 3 = DIN PN16 6 = ANSI 150 8 = B.S. TABLE D 9 = OTHER	0= FE	I = Inverter C = Control unit with remote control W = Control unit with local control N = None	P = pressure limit switch T = pressure transmitter with relay display J = Revolution counter R = Revolution detector D = hose leak detector H = Connector hoses K = Pipe connector for pressure switch

LPP1"GM10-2-0-W-TDH