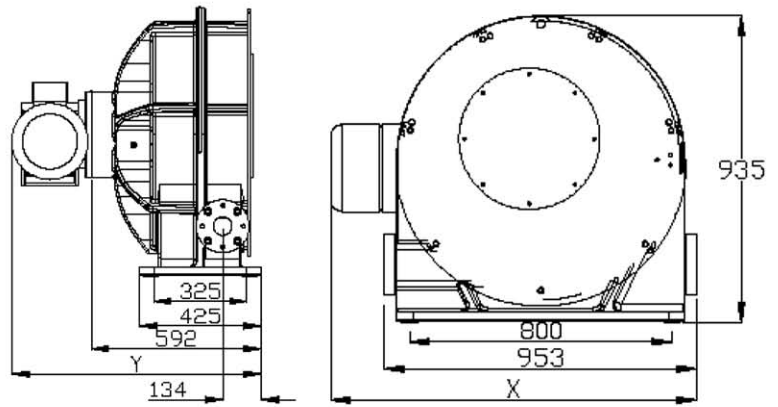


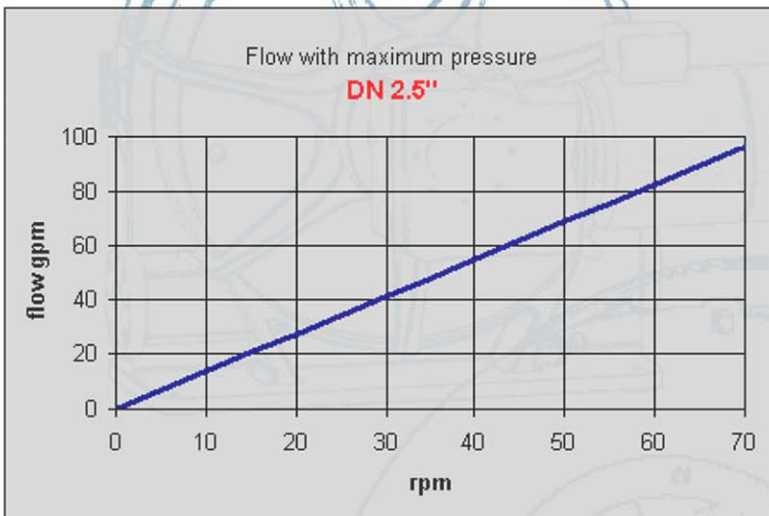
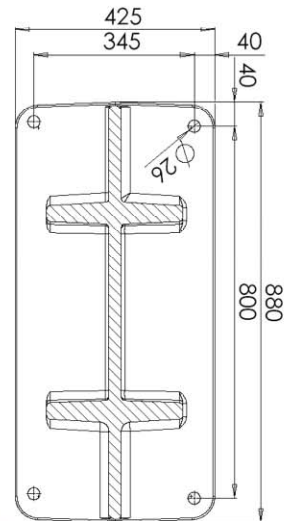
LPP TECHNICAL DETAILS DN 2.5"

Technical details DN 2.5"

Weight	~ 2112 lbs.
Flow/revolution	1.37 gallons
Max flow	88 gpm
Max pressure	150 psig
Lubricant volume	½ gallons
Compression -new hose -adjustment during operation	63 ft.lbs. 56 ft.lbs.

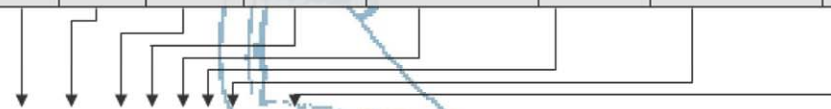


For further information on different gear units and dimensions, please contact your local representative



LPP type markings

Model	Size (DN)	Drive	Pressure class (PN)	Flange drillings	Body material	Drive control	Auxiliaries
LPP	1" 1.5" 2.5"	GM= geared motor GU= gear unit	10	1 = - 2 = DIN PN10 3 = DIN PN16 6 = ANSI 150 8 = B.S. TABLE D 9 = OTHER	0= FE	I = Inverter C = Control unit with remote control W = Control unit with local control N = None	P = pressure limit switch T = pressure transmitter with relay display J = Revolution counter R = Revolution detector D = hose leak detector H = Connector hoses K = Pipe connector for pressure switch



LPP2.5GM10-2-0-W-TDH