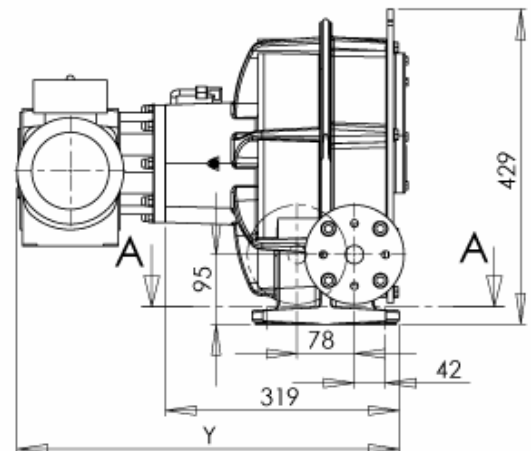
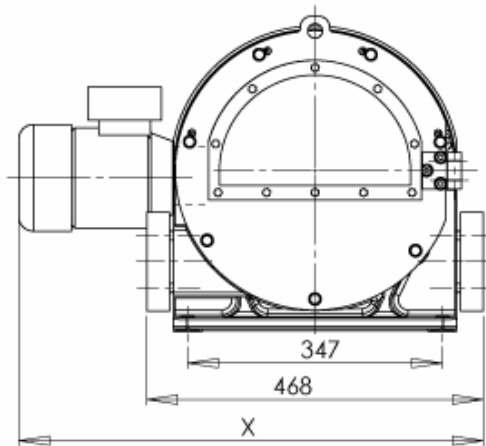
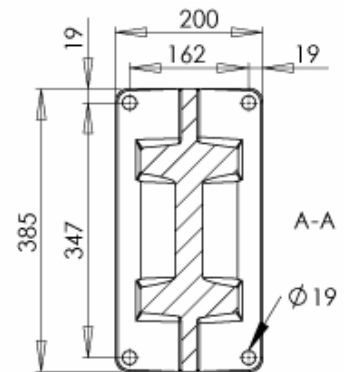
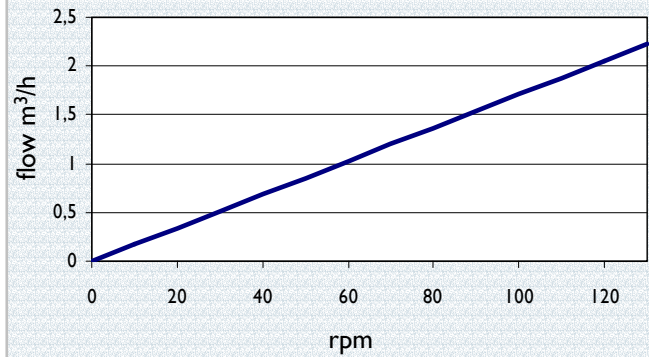


# LPP25 HOSE PUMP

## TECHNICAL DATA

Weight	~ 130 kg
Flow/revolution	0.28 L
Max flow	2.2 m <sup>3</sup> /h
Max pressure	10 bar
Lubricant volume	0.8 L
Adjustment torque	
-new hose	15 Nm
-readjustment	10 Nm
Hose bore and flange connection	25 mm
Motor power	0.37–1.5 kW

## FLOW WITH MAXIMUM PRESSURE



Dimensions (X,Y) vary according to the drive size. Please consult us for the exact drive sizing to your application.

