

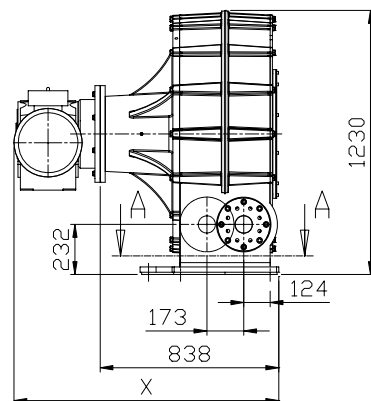
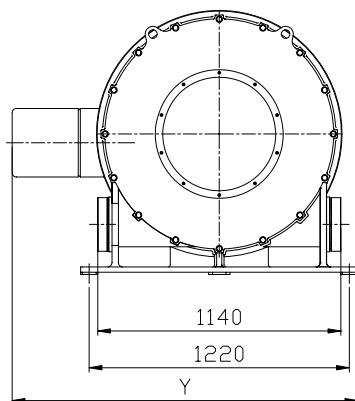
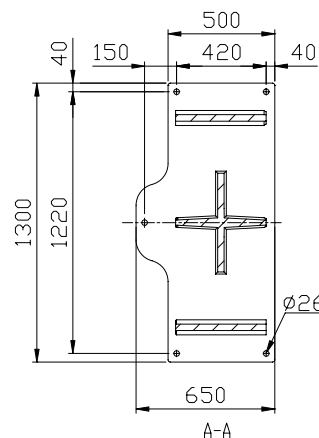


LPP3" HOSE PUMP

TECHNICAL DATA

Weight	~ 5512 lbs
Flow/revolution	3.0 gal (±1.25%)
Maximum flow	176 GPM
Maximum pressure	108 PSI
Lubricant volume	2.1 gal
Adjustment torque	
-new hose	120 Nm
-readjustment	100 Nm
Hose bore and flange connections	3"
Motor power	12 -24 HP

FLOW WITH MAXIMUM PRESSURE



Dimensions (X,Y) vary according to the drive size. Please consult us for the exact drive sizing to your application.

