

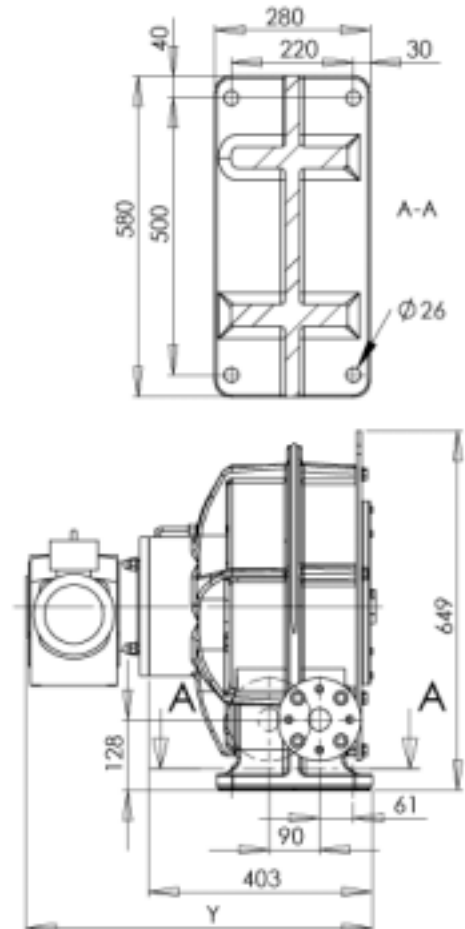
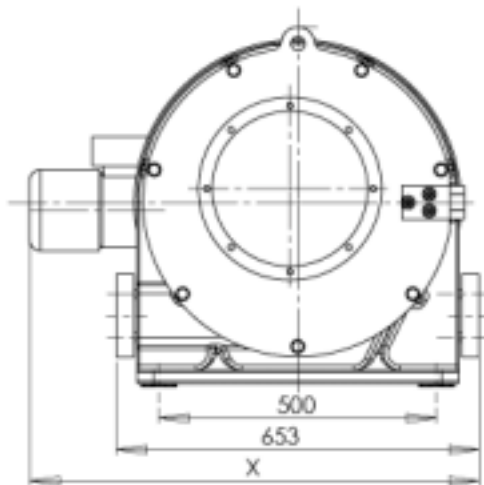
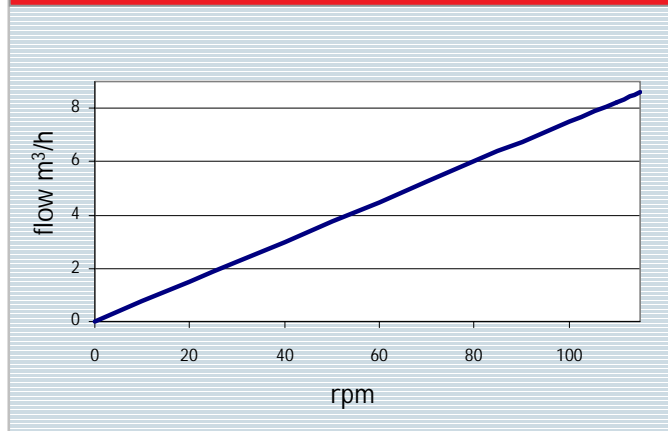


# LPP40 HOSE PUMP

## TECHNICAL DATA

Weight	~ 360 kg
Flow/revolution	1.25 L
Max flow	8.5 m <sup>3</sup> /h
Max pressure	10 bar
Lubricant volume	1 L
Adjustment torque	
-new hose	30 Nm
-readjustment	25 Nm
Hose bore and flange connection	40 mm
Motor power	1.1–4.0 kW

## FLOW WITH MAXIMUM PRESSURE



Dimensions (X,Y) vary according to drive size. Please consult us for the exact drive sizing to your application.

