

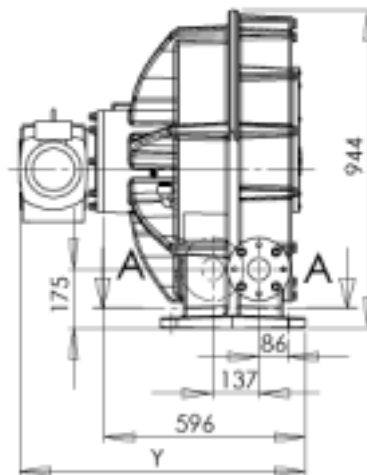
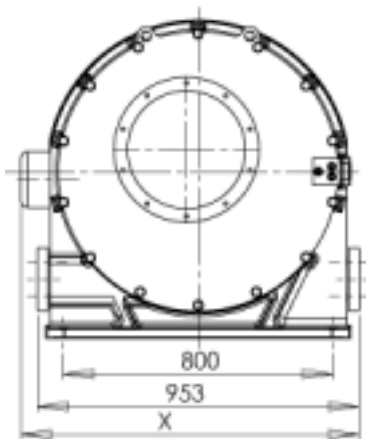
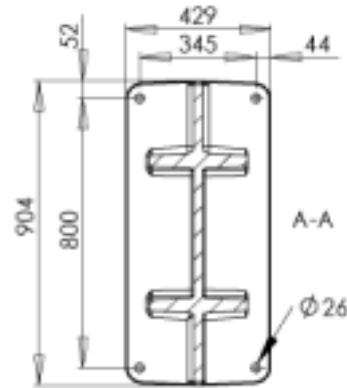
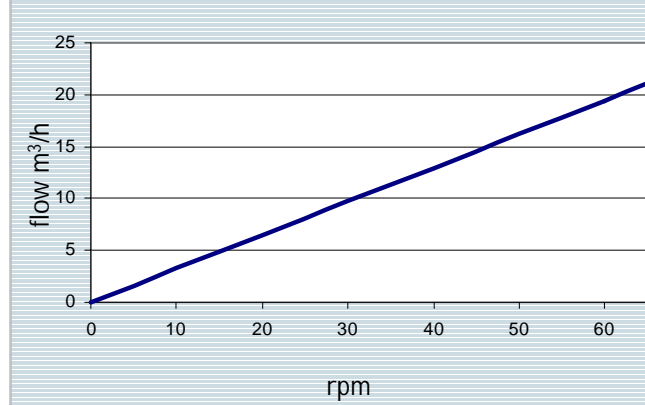


# LPP65 HOSE PUMP

## TECHNICAL DATA

Weight	~ 960 kg
Flow/revolution	5.4 L
Max flow	20 m <sup>3</sup> /h
Max pressure	10 bar
Lubricant volume	3 L
Adjustment torque	
-new hose	60 Nm
-readjustment	50 Nm
Hose bore and flange connection	65 mm
Motor power	3-11 kW

## FLOW WITH MAXIMUM PRESSURE



Dimensions (X,Y) vary according to the drive size. Please consult us for the exact drive sizing to your application.

