

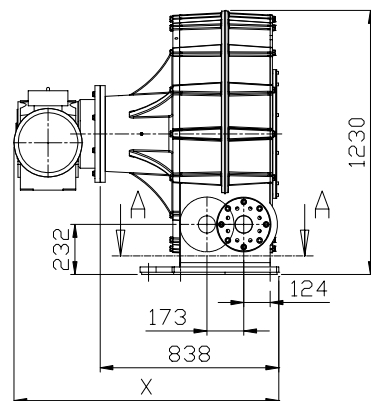
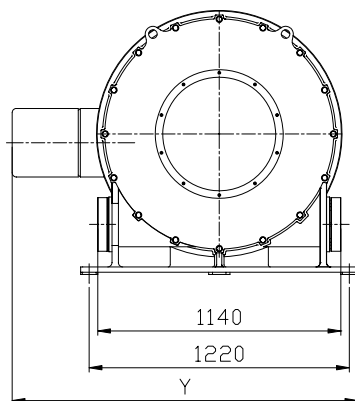
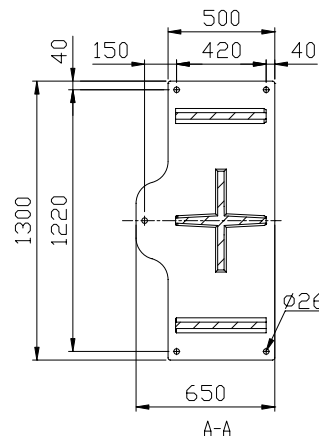
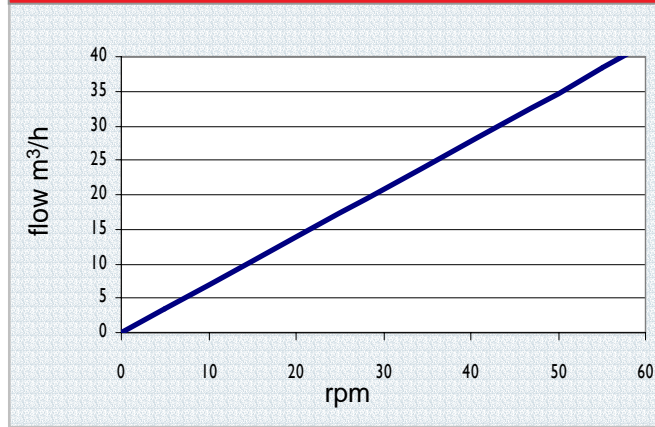


LPP80 HOSE PUMP

TECHNICAL DATA

Weight	~ 2500 kg
Flow/revolution	11.6 L (±1.25%)
Maximum flow	40 m ³ /h
Maximum pressure	7.5 bar
Lubricant volume	8 L
Adjustment torque -new hose -readjustment	120 Nm 100 Nm
Hose bore and flange connections	80 mm
Motor power	9.2 - 18 kW

FLOW WITH MAXIMUM PRESSURE



Dimensions (X,Y) vary according to the drive size. Please consult us for the exact drive sizing to your application.

